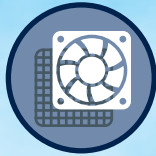


AIR-10-IT

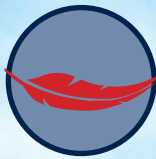
FILTER FAN UNITS



KEY POINTS



HEPA filter protected by diffuser



Lightweight: the box and fan are entirely made from aluminium



Low energy consumption



BUS remote control system



Maintenance free

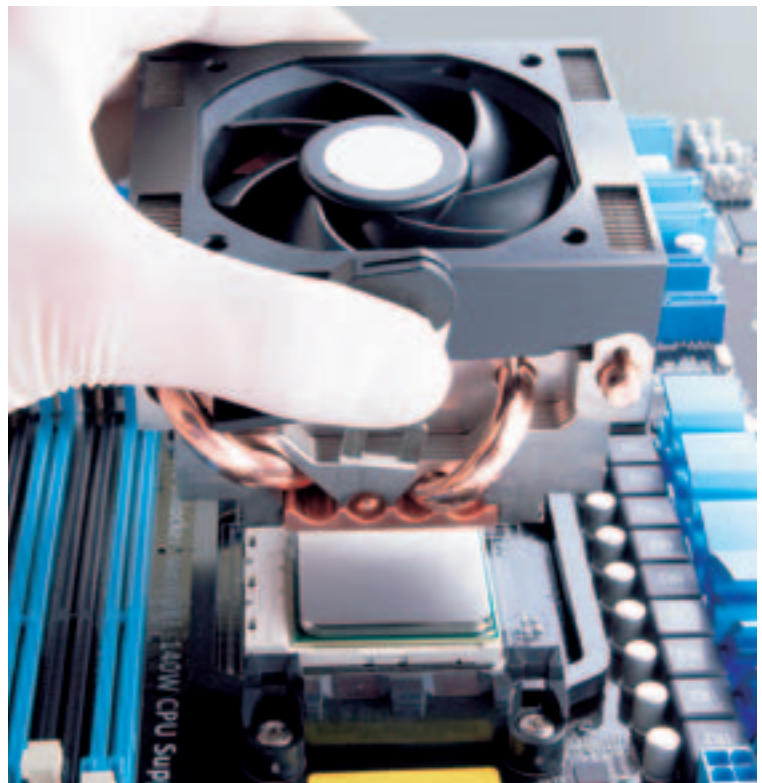


Independent filter fan unit, designed for the construction of Cleanroom and Laminar Airflow Systems: the Unit is equipped by a filter housing and a perforated aluminium diffuser.

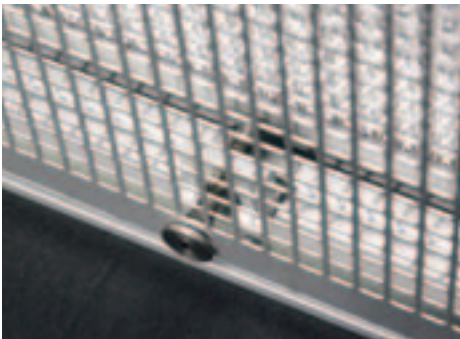
The Unit is suitable to be installed in the Cleanroom system Grid-HT or other ceilings.

APPLIANCES

Cleanrooms and Laminar Airflow Systems for the Microelectronic, Electronic, Optical, Mechanical, Aerospace, Pharmaceutical, Medical industries and Hospitals.



COMPONENTS' DESCRIPTION



- **Container box:** in anodised aluminium plate, suitable bent and stiffened to create a strong and rigid structure.
- **Sound absorbent panels** in Cl. M0 mineral wool, covered with protective fabric to prevent any polluting particles being given off.
- **Radial electric fan**, with an EC electric motor, coupled directly to an aluminium rotor with inverted blades.
- **EC Controller** built into the fan to action, control and regulate it.
- **Absolute filter** with low pressure drop, class H14 or U15, in accordance to EN1882:2009 standard, frame thickness 66 mm.
- **Absolute filter frame** in anodised extruded aluminium profile.
- **Filter housing frame** in extruded aluminium profile.
- **Filter clamping device** composed of aluminium clamps, M8 grub screws in stainless steel, and ratches for fixing the diffuser.

OPTIONAL ACCESSORIES

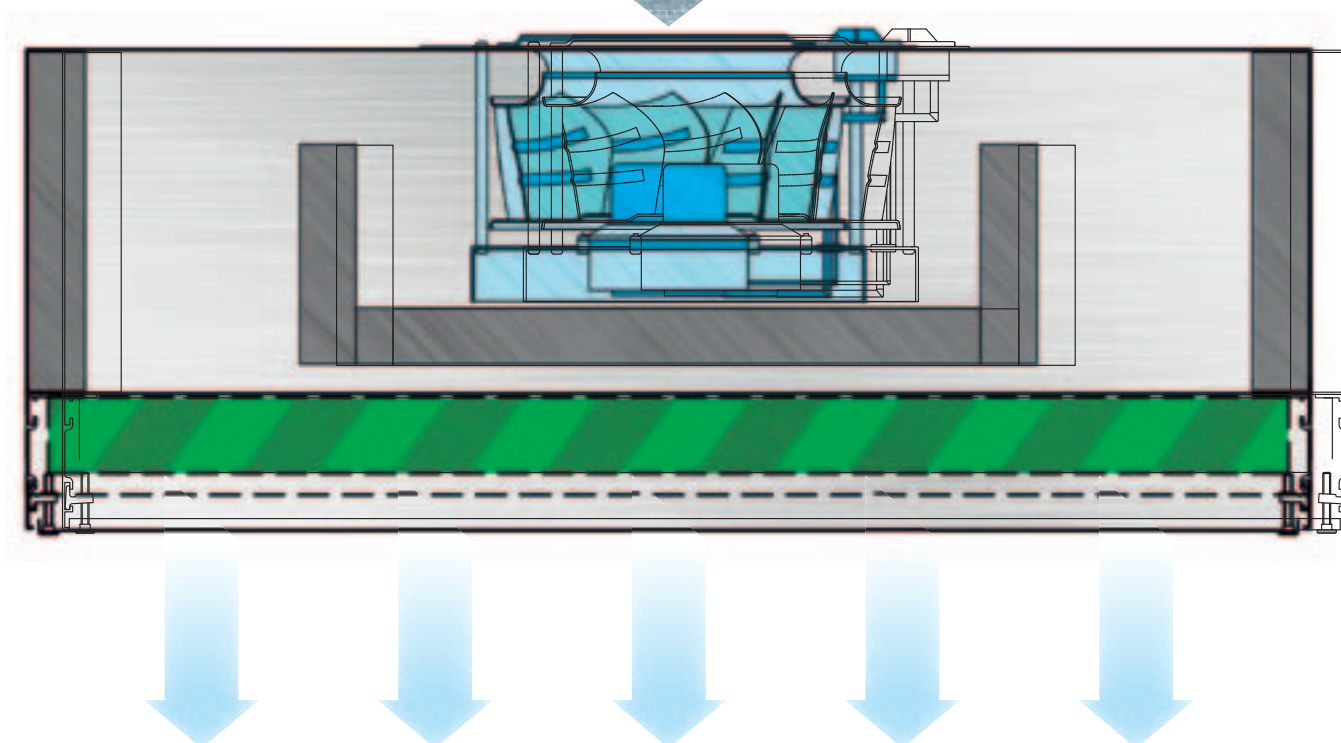
- **Panel prefilter**, G4 class, in accordance to EN779:2012 standard, inserted in its anodised aluminium housing.
- **Heat exchanger** in copper/aluminium, max. capacity 4 kW, inserted in its anodised aluminium housing.
- **Interface board** for LON control.

COUPLED FILTERS

TYPE FFU	TIGHTNESS		EFFICIENCY			HEIGHT mm		
	DRY	WET	H14	U15	U16	66	90	110
6P6	●	●	●	●	●	●	●	●
6P12	●	●	●	●	●	●	●	●
12P12	●	●	●	●	●	●	●	●

- Available
- Not available

DIMENSIONS



TECHNICAL DATA

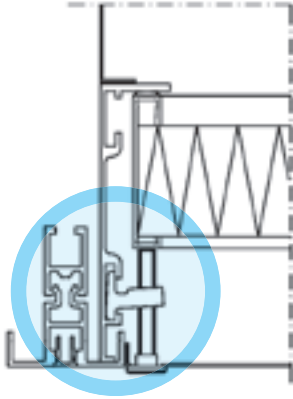
TYPE	FFU dimensions mm	Grid pitch mm	Power W		Sound level dB(A)	Air volume	Pressure Pa	Weight Kg
	LxPxH	LxP	Rated	0,45 m/s 120 Pa	0,45 m/s 120 Pa	m ³ /h	Max	*
6P6	572x572x360	600x600	430	26	54	433	600	8
6P12	572x1172x360	600x1200	430	66	59	935	600	15
12P12	1172x1172x440	1200x1200	370	175	61	2021	350	38

* Filters not included

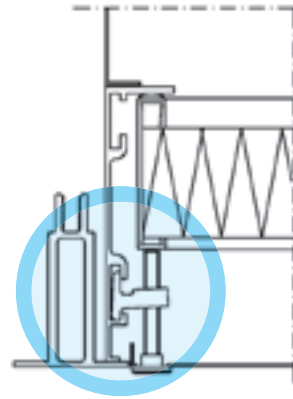
CONSTRUCTION DETAILS

INSTALLATION

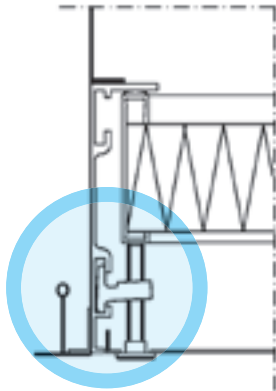
GRID-HT



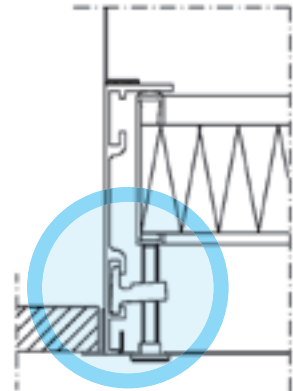
GRID-EL



COMMERCIAL FALSE CEILINGS

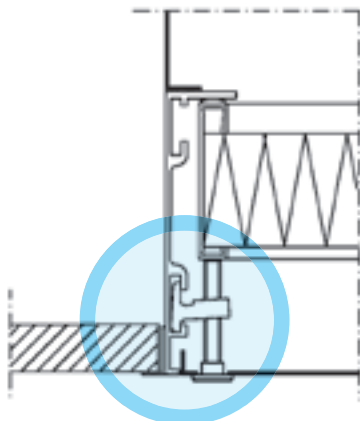


DRYWALL

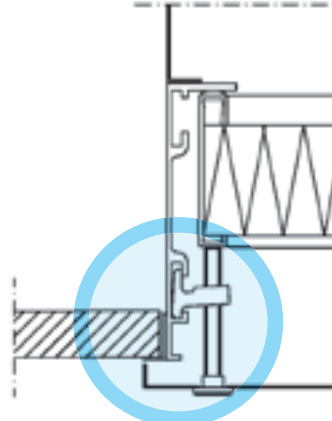


DIFFUSERS

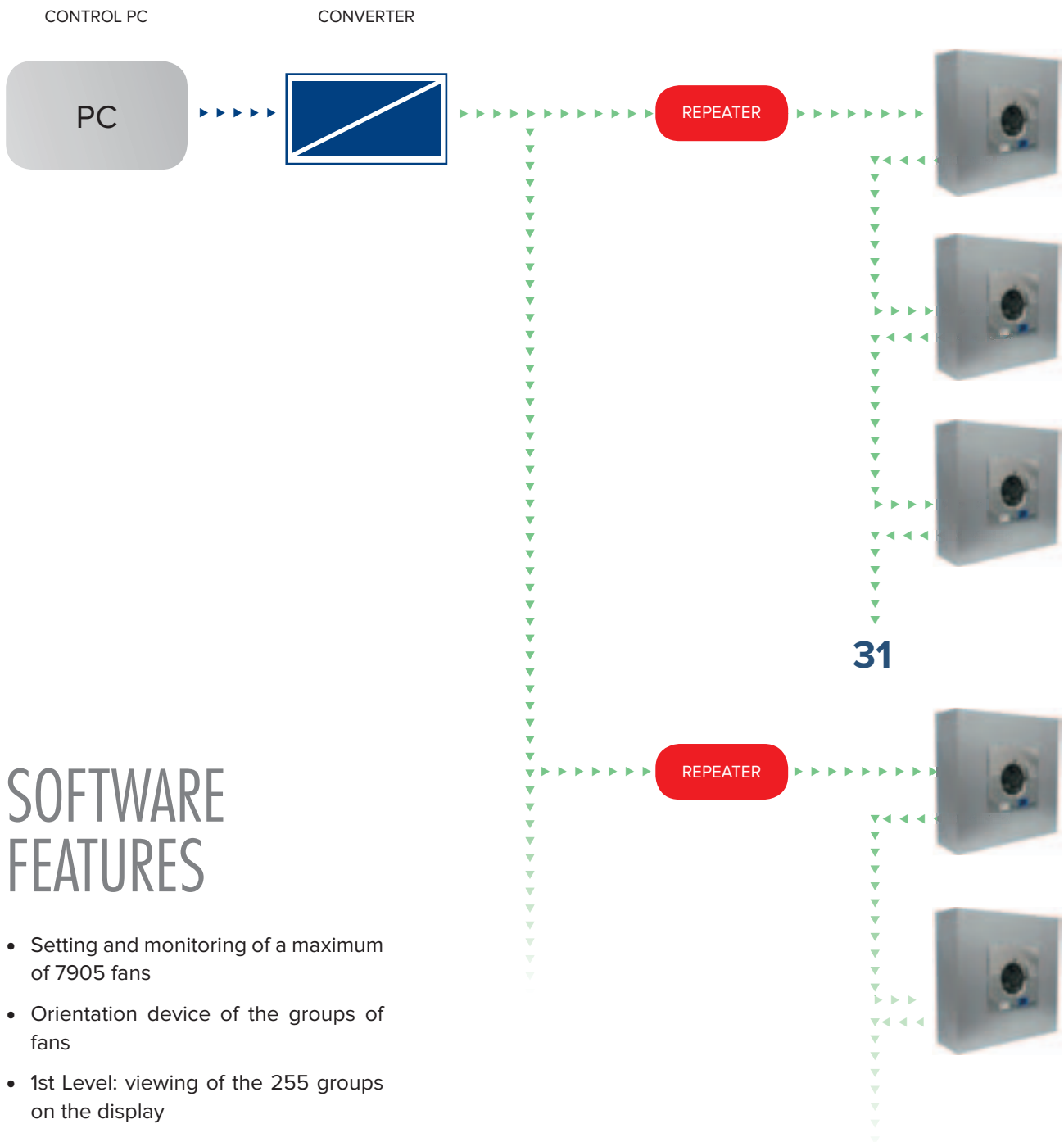
INTERNAL



EXTERNAL



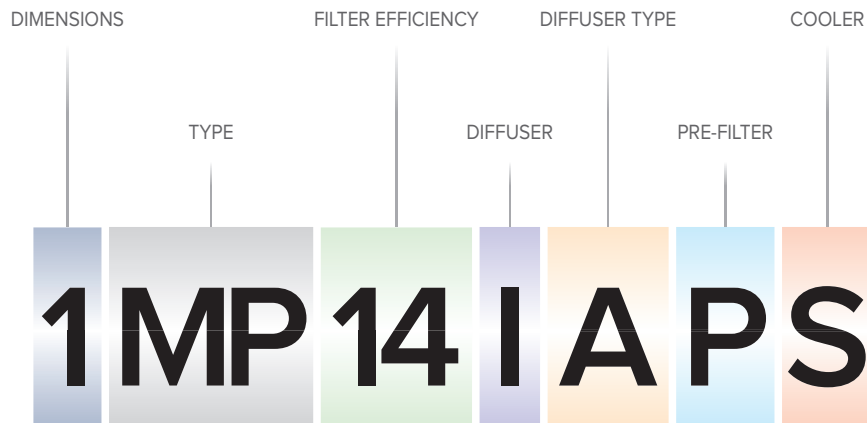
FUNCTIONAL SCHEME



SOFTWARE FEATURES

- Setting and monitoring of a maximum of 7905 fans
- Orientation device of the groups of fans
- 1st Level: viewing of the 255 groups on the display
- 2nd Level: viewing of 31 fans per group on the display
- Remote control per either one fan or all the fans
- Automatic temperature and pressure control
- Error message
- Localising and analysing of error

EXAMPLE OF CODING



DIMENSIONS
1 6P6 (610x610 mm)
3 6P12 (610x1220 mm)
6 12P12 (1220x1220 mm)

INSTALLATION TYPE
MP On Grid
MC On commercial profile
MG On drywall

FILTER EFFICIENCY
14 H14
15 U15

DIFFUSER (OPTIONAL)
I Internal
E External
X No

DIFFUSER TYPE (OPTIONAL)
A Aluminium
I Stainless steel
X No

PRE-FILTER
P Yes
X No

COOLER
S Yes
X No



“ ... because technological excellence can be achieved only in **contamination-free** areas ”


Galvani[®]
Clean technology

Galvani S.r.l.

Via Monti Lessini, 8

37057 S. Giovanni Lupatoto [VR] - Italy

Phone +39 045 8774911

Fax +39 045 8774949

sales@galvani.com

www.galvani.com