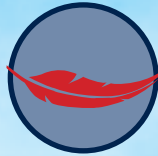


AIR-1-HT

FILTER FAN UNITS



KEY POINTS



Lightweight: the box and fan are entirely made from aluminium



Very quiet running



Low energy consumption



BUS remote control system



Maintenance free

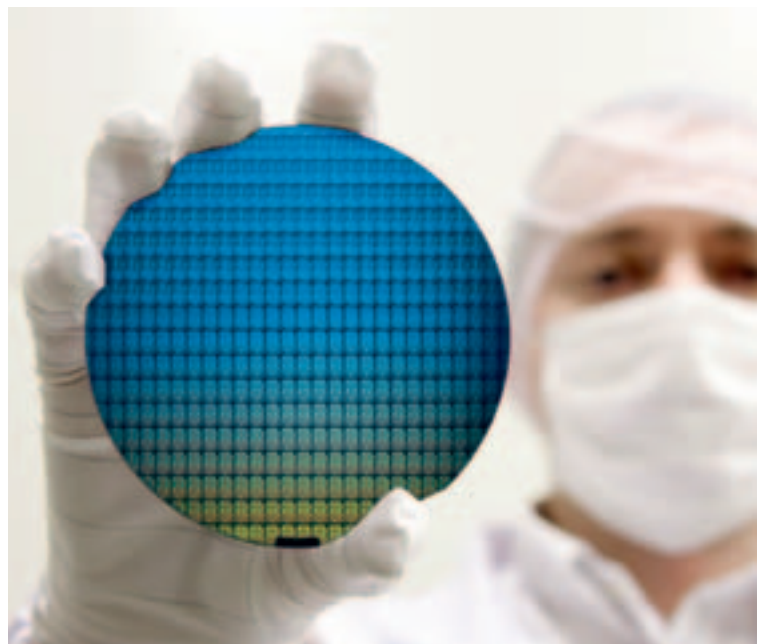


Independent Filter Fan Units designed for large Cleanrooms and/ or Laminated Airflow Systems, where the levels of cleanliness, noise and absorption are extremely strict: the Filter Fan Units are designed for connecting to our Grid-HT.

The AIR-1-HT series Filter Fan Units offer cutting edge technology for modern Cleanrooms.

APPLIANCES

Cleanrooms and Laminar Airflow Systems for the Microelectronic, Electronic, Optical, Mechanical, Aerospace, Pharmaceutical, Medical industries and Hospitals.



COMPONENTS' DESCRIPTION

- **Container box:** in anodised aluminium plate, suitable bent and stiffened to create a strong and rigid structure.
- **Sound absorbent panels** in Cl. M0 mineral wool, covered with protective fabric to prevent any polluting particles being given off.
- **Radial electric fan,** with an EC electric motor, coupled directly to an aluminium rotor with inverted blades.
- **EC Controller** built into the fan to action, control and regulate it.
- **Absolute filter** with low pressure drop, available with H14, U15 or U16 class, in accordance to EN1882:2009, frame thickness 66 mm, 90 mm or 110 mm.



OPTIONAL ACCESSORIES

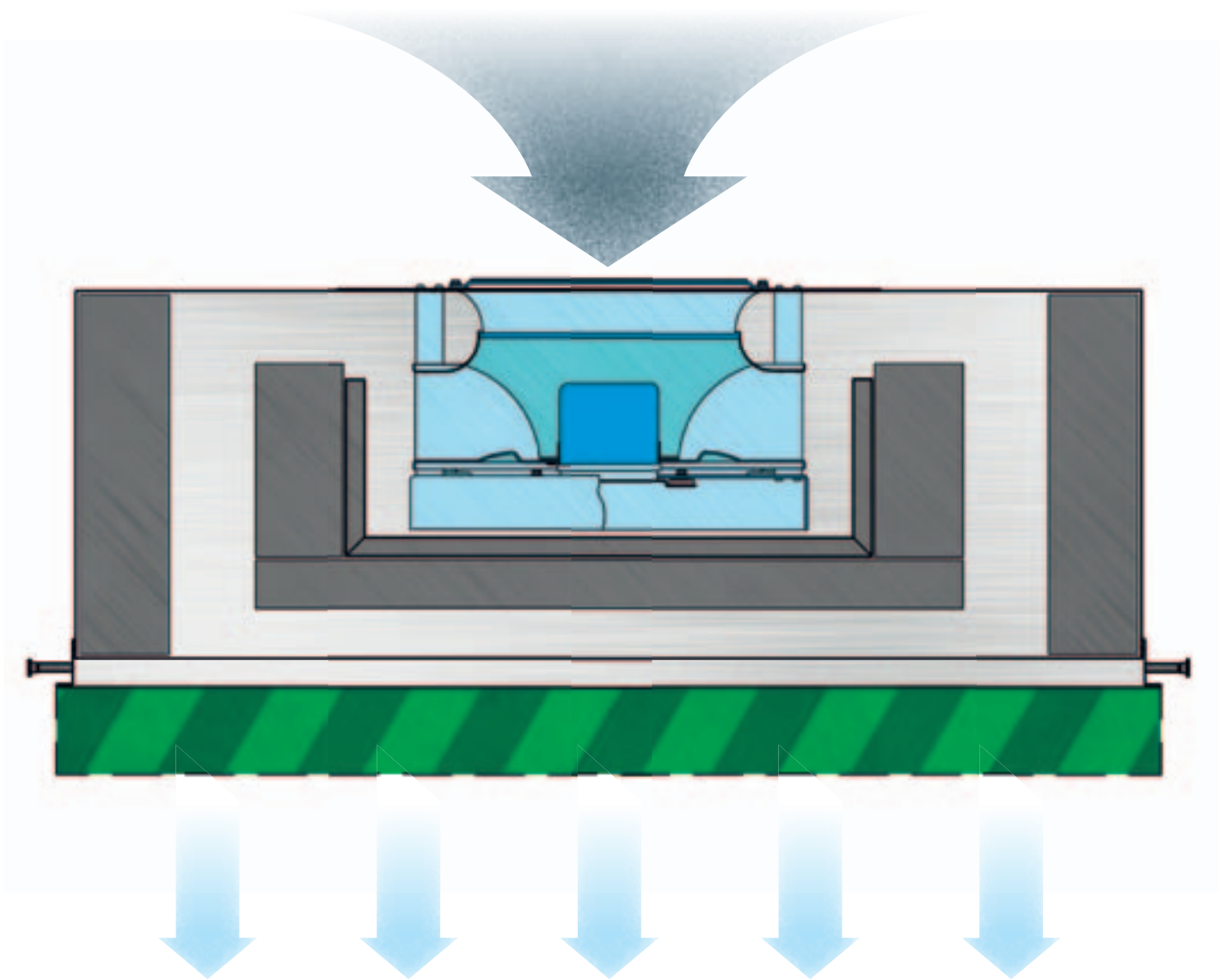
- **Panel prefilter,** G4 Class, in accordance to EN779:2012, fitted into an appropriate anodized aluminium housing.
- **Heat exchanger** in copper/ aluminium, max. capacity 4kW, fitted into an appropriate anodized aluminium housing.
- **Interface board** for LON control

COUPLING FILTERS

TYPE FFU	TIGHTNESS		EFFICIENCY			HEIGHT mm		
	DRY	WET	H14	U15	U16	66	90	110
6P6	●	●	●	●	●	●	●	●
6P12	●	●	●	●	●	●	●	●
12P12	●	●	●	●	●	●	●	●

- Available
- Not available

DIMENSIONS



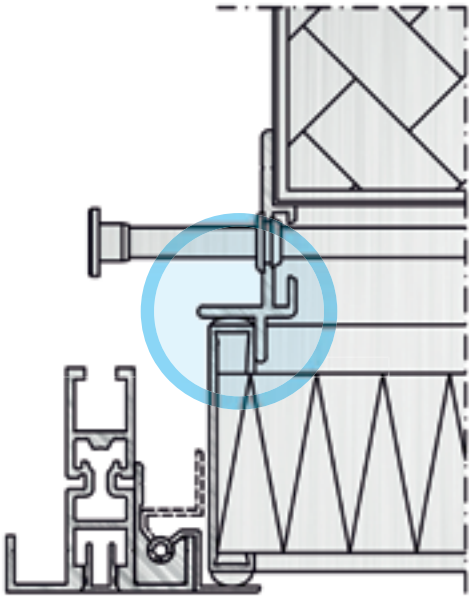
TECHNICAL DATA

TYPE	FFU dimensions	Grid pitch mm	Power W		Sound level dB(A)	Air Volume	Pressure Pa	Weight Kg
	LxPxH	LxP	Nominale	0,45 m/s 120 Pa	0,45 m/s 120 Pa	m³/h	Max	*
6P6	540x540x410	600x600	430	39	49	421	600	15
6P12	540x1140x410	600x1200	430	57	45	917	600	23
12P12	1140x1140x410	1200x1200	370	140	50	1996	350	41

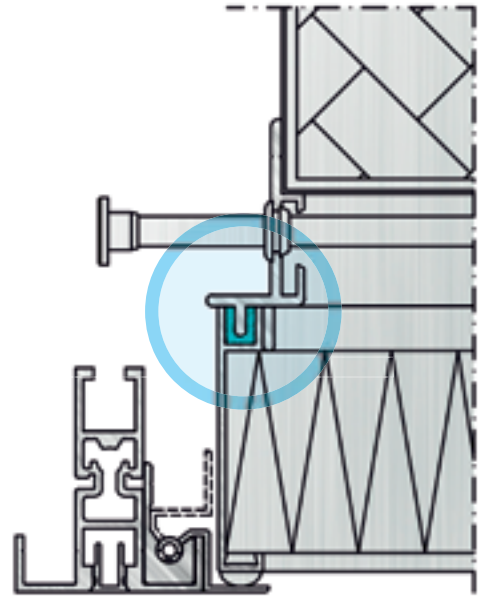
* Filters not included

Power supply 200÷277 Vac - 1N - 50/60 Hz

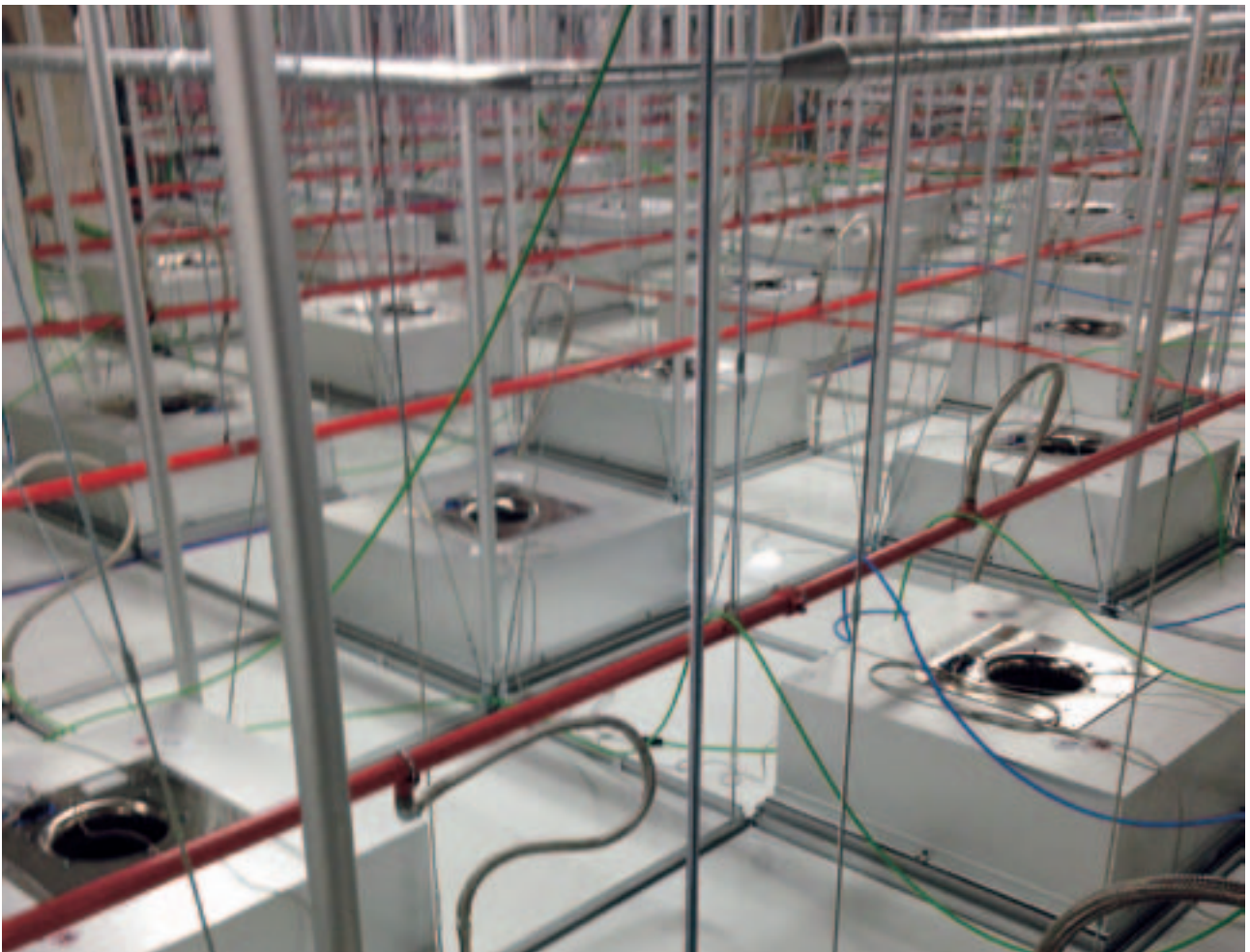
CONSTRUCTION DETAILS



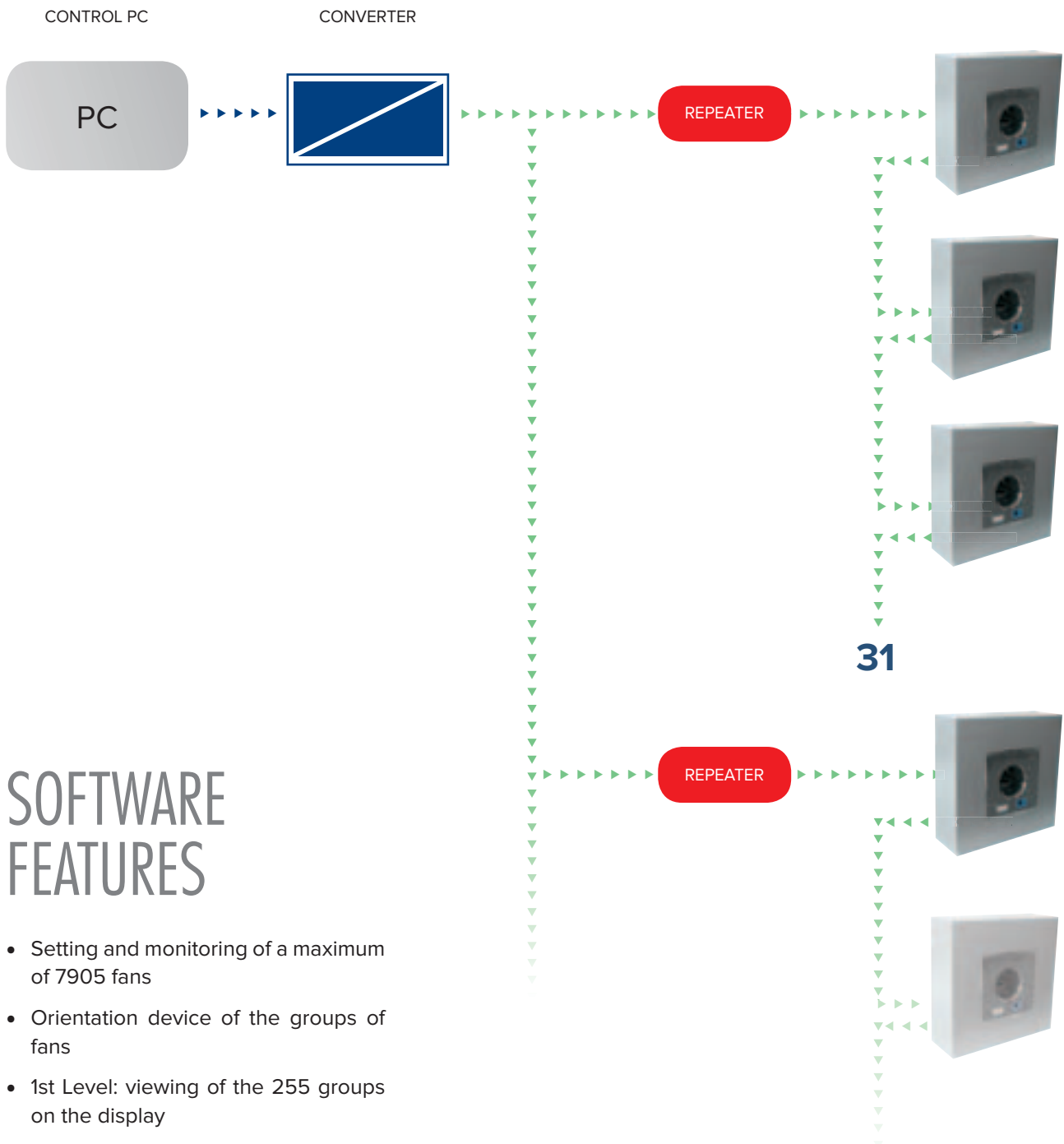
DRY TIGHTNESS



WET TIGHTNESS



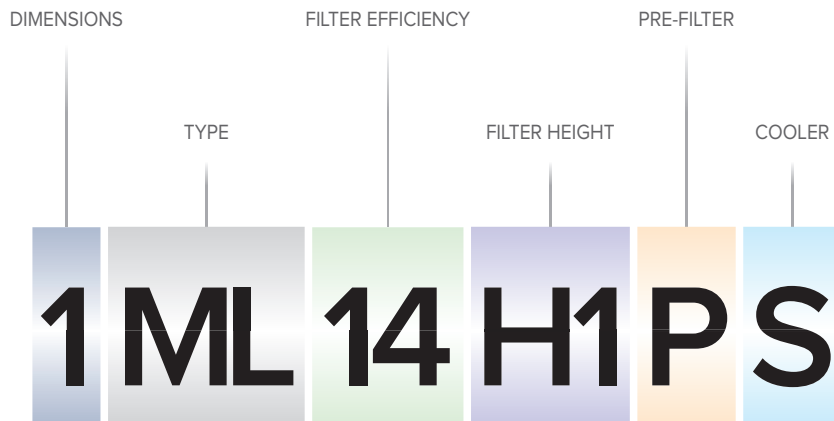
FUNCTIONAL SCHEME



SOFTWARE FEATURES

- Setting and monitoring of a maximum of 7905 fans
- Orientation device of the groups of fans
- 1st Level: viewing of the 255 groups on the display
- 2nd Level: viewing of 31 fans per group on the display
- Remote control per either one fan or all the fans
- Automatic temperature and pressure control
- Error message
- Localising and analysing of error

EXAMPLE OF CODING



<p>DIMENSIONS</p> <p>1 6P6 (540x540 mm) 3 6P12 (540x1140 mm) 6 12P12 (1140x1140 mm)</p>	<p>FILTER HEIGHT</p> <p>H1 66 mm H2 90 mm H3 110 mm</p>
<p>INSTALLATION TYPE</p> <p>ML Dry tightness with a rotating supporting tab LL Wet tightness with a rotating supporting tab</p>	<p>PRE-FILTER (OPTIONAL)</p> <p>P Yes X No</p>
<p>FILTER EFFICIENCY</p> <p>14 H14 15 U15 16 U16</p>	<p>COOLER (OPTIONAL)</p> <p>S Yes X No</p>



“ ... because technological excellence can be achieved only in **contamination-free** areas ”


Galvani[®]
Clean technology

Galvani S.r.l.

Via Monti Lessini, 8

37057 S. Giovanni Lupatoto [VR] - Italy

Phone +39 045 8774911

Fax +39 045 8774949

sales@galvani.com

www.galvani.com